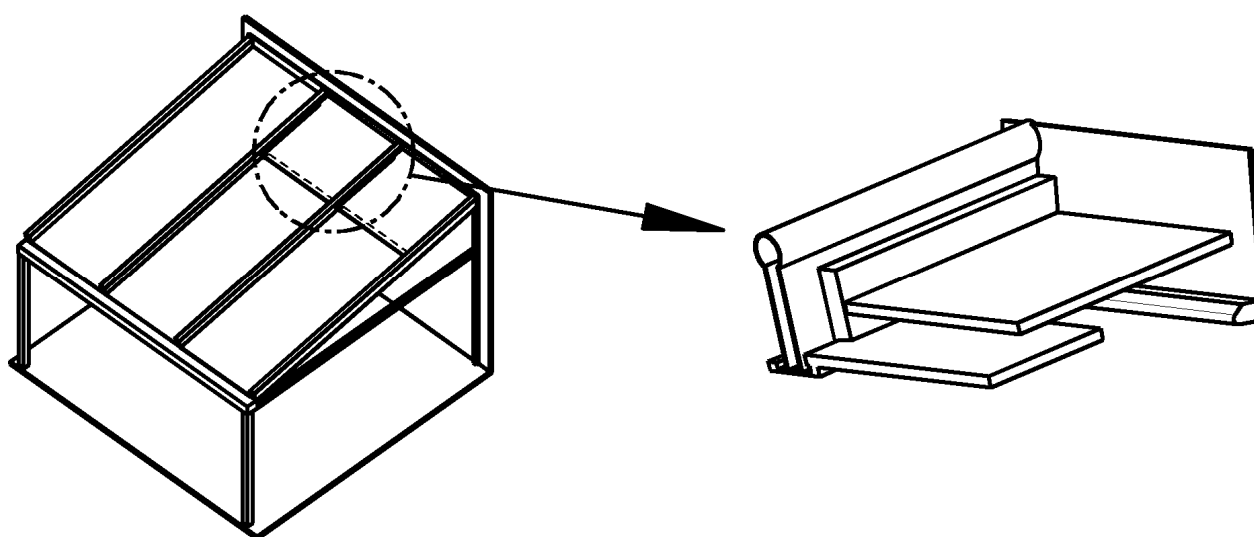


Maintenance Instructions and Directions for Use WeiTop DL Permanent Roof Vent



Important guidelines for specialist retailers and end users

Please read carefully and bear in mind before using!
These instructions must be kept by the end user.

Last revised: February 2011



113282

We reserve the right to make technical changes!
Item no.: 113282-0000

1 Contents

1	Contents.....	2
2	Important Notes / Safety Notes.....	3
	2.1 Safety Notes.....	3
	2.2 Reading the Maintenance Instructions and Directions for Use.....	3
3	Description of Construction and Function.....	3
4	Maintenance Instructions	3
	4.1 Cleaning	3
	4.2 General cleaning guidelines.....	3
	4.3 Cleaning powder-coated aluminium profiles.....	3
	4.4 Cleaning glass panes or other forms of roof covering.....	4
	4.5 Safety issues when performing cleaning and maintenance work.....	4
	4.6 Important guidelines for the winter season and heavy rain	4
	4.7 Notes on the insect guard and winter screen	4
5	Directions for use	5
	5.1 General notes.....	5
	5.2 Dismantling/Fitting the insect guard and winter screen	5
6	Disposal	6
7	Other weinor products	6

2 Important Notes / Safety Notes

2.1 Safety Notes

Safety notes can be found at the appropriate places in the text. They are marked with a symbol and a warning text.

Important Safety Note:



This warning triangle marks notes about dangers which could lead to death or serious injury or which are important for the proper function of the product.

2.2 Reading the Maintenance Instructions and Directions for Use

- Read the Maintenance Instructions and Directions for Use before using the product for the first time.
- For personal safety, it is important that these instructions are complied with.
- Non-compliance means the manufacturer does not carry any liability.
- The customer must keep these instructions, and if the product is sold, they must be given to the new owner.

3 Description of Construction and Function

Only high-quality corrosion resistant or anti-corrosion materials are used in the WeiTop DL roof vent. The profiles are made of extruded aluminium. All connecting parts, such as screws, are made of stainless steel. All outside aluminium parts are powder coated.

4 Maintenance Instructions

4.1 Cleaning

- Cleaning aluminium parts and profiles
- Cleaning glass panes or other forms of roof covering

4.2 General cleaning guidelines

- Acids and aggressive cleaning agents such as abrasives, steel wool, scouring pads and knives/blades, as well as solvent-based cleaners (thinner, benzene) are not suitable cleaning materials and may cause irreparable damage.
- All regulations relating to accident prevention, environmental compliance and sealing off the immediate surroundings must be observed at all times.

4.3 Cleaning powder-coated aluminium profiles

- So that you may enjoy your permanent vent for many years to come, we recommend that you clean the aluminium elements at least once a year – and even more often if heavily soiled.
- To do so, use plain water only, which may also contain minor amounts of pH-neutral or very weakly alkaline detergents.

4.4 Cleaning glass panes or other forms of roof covering

- Use ample amounts of clean water to avoid dirt particles scratching the surface.
- Use neutral cleaning agents as far as possible to clean the glass panels.
- Do not use sharp objects to clean the glass panels as these may damage the glass.
- Clean sand-blasted glass surfaces (e.g. satin glass), with or without anti-finger-mark finish (special surface coating) using clear water and a soft cloth only. The use of aggressive alkaline-based or acid-based cleaning agents will result in damage to the anti-finger-mark finish.

The following cleaning steps have proven to work well:

- Sweep or vacuum away any loose dirt.
- Dampen stubborn dirt with a little water.
- Clean the glass surface with ample water.
- Remove the glass and rubber lip; clean until streak-free.

Baked-on dirt, heavy dirt or scratches should always be removed by a qualified specialist.

4.5 Safety issues when performing cleaning and maintenance work

- Equipment used to access elevated areas (e.g. ladders) must be on a firm base and provide adequate support. Only use ladders with adequate load-bearing capacity.
- Glass roofs may only be accessed if:
 - the glass is proven to have sufficient shock resistance and residual strength or a general permit has been issued by the building inspectorate certifying that the glass used may specifically be accessed.
 - No exterior tempered coating has been added (e.g. dirt-repellent coating)
- If there is a need to access the glass, make sure that load-bearing planks are placed across the rafters.

4.6 Important guidelines for the winter season and heavy rain

- Depending on the angle of the roof, there is a possibility of water entering the interior through the roof vent as a result of melting snow, rain or – during heavy downpours – the water draining off too slowly.
This is not a product deficiency!
Please ensure that no moisture-sensitive items are placed underneath.

4.7 Notes on the insect guard and winter screen

- Neither the winter screen nor the insect guard are airtight or waterproof
- Should insects come into the conservatory in spite of an insect guard being fitted, there is a possibility of them leaving by the same route or dying in the interior.

5 Directions for use

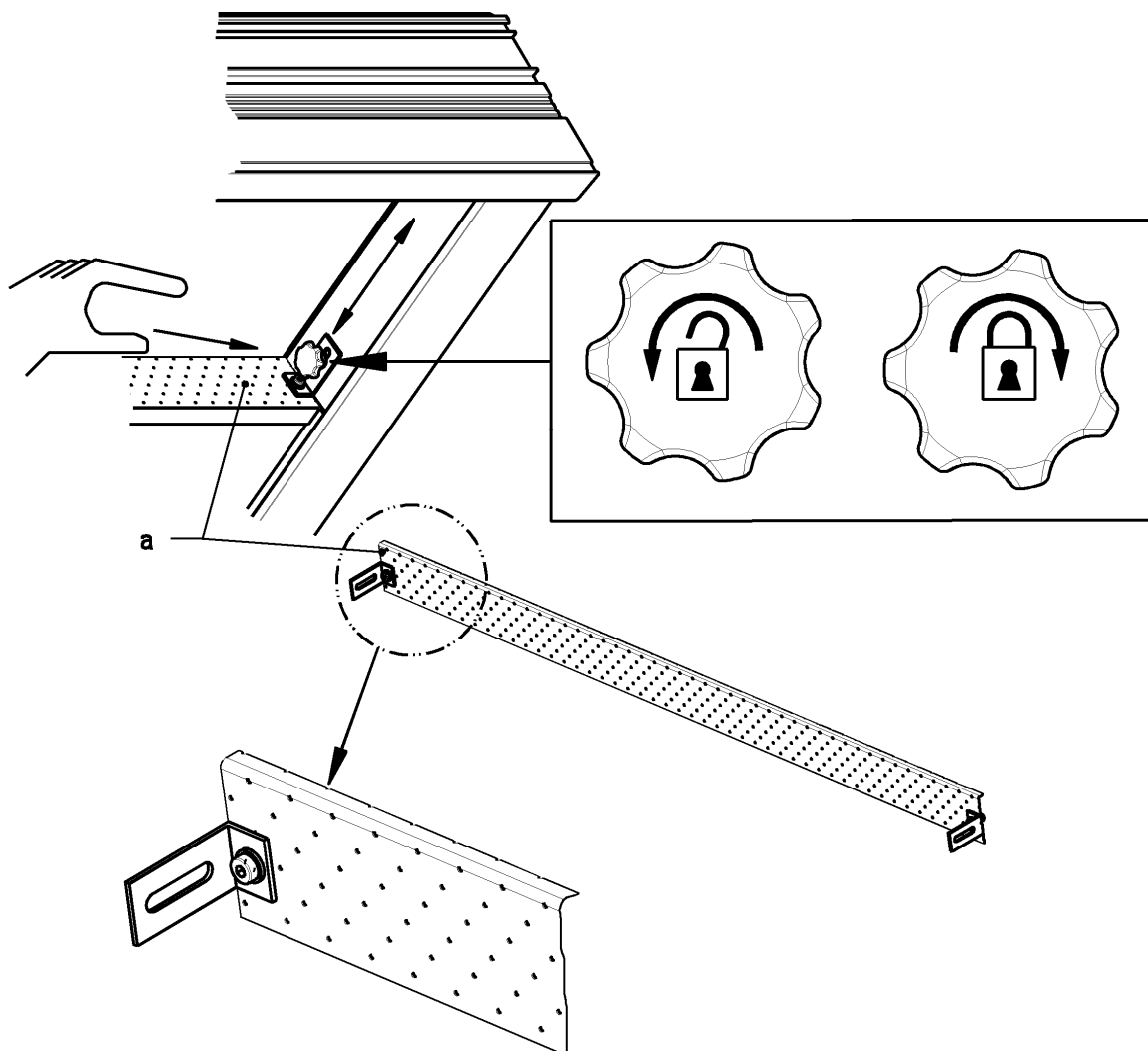
5.1 General notes

- The thermal energy emitted by sunlight causes exposed outer surfaces to heat up naturally. This process causes a relatively high rise in temperature (50-60 °C or higher) on dark surfaces in particular.
In very cold climates, however, the temperature of exposed surfaces can fall dramatically (even to below zero).
Since aluminium is a very good conductor of heat, there is a potential danger that the inner surfaces will also become very hot (ranging from uncomfortably hot to a risk of burns) or very cold (potential risk of condensation forming).

5.2 Dismantling/Fitting the insect guard and winter screen

The illustration below shows how to fit the insect guard. The winter screen is fitted in the same way.

To replace or change the winter screen or insect guard, loosen and remove the star knob. It is often wise to remove these items when cleaning.



a – Insect guard

Fluctuations in temperature may cause gaps between the insect guard (or winter screen) and the permanent roof vent increasing or decreasing. This can be corrected by adjusting the spacing.

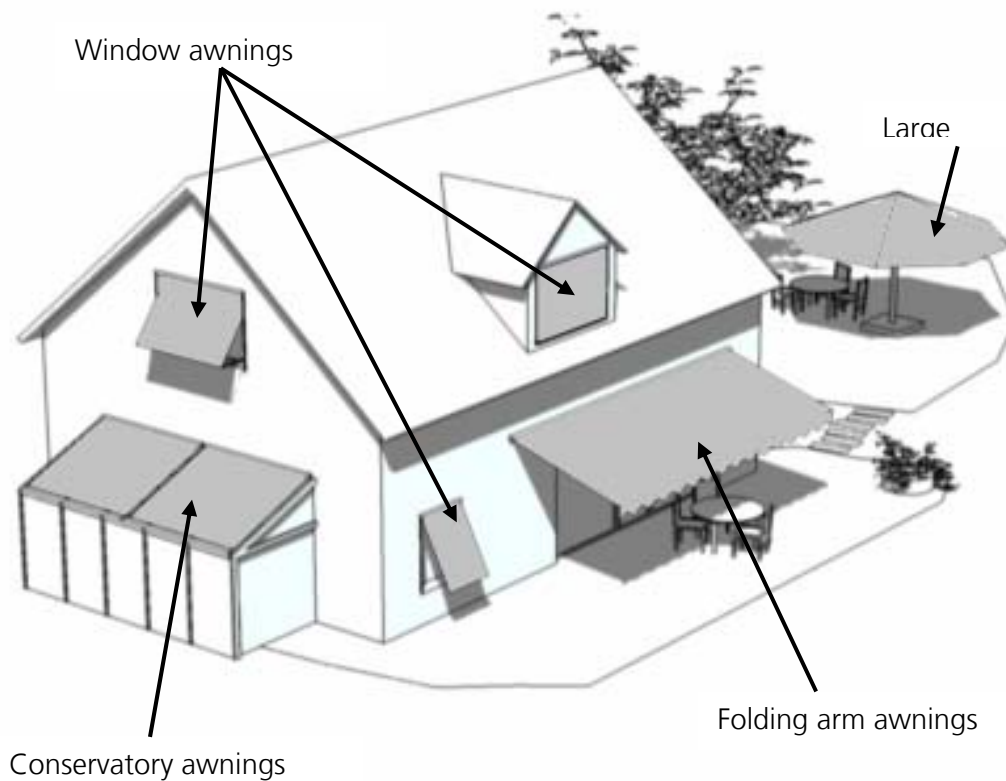
6 Disposal

Although this product does not contain any materials which pose a risk or danger to the environment, the parts must nevertheless be disposed of correctly.

7 Other weinor products

Interested in learning more about **weinor's** range of products? Then please contact your local specialist retailer, who will be happy to advise you on selecting the right sun protection units, patio roofs or glazing elements.

You can also visit us online at: www.weinor.de



For further information, please contact:

weinor GmbH & Co. KG
Mathias-Brüggen-Straße 110
50829 Köln - Ossendorf (Germany)

Hotline: +49 (0)2 21/5 97 09 - 214

Fax: +49 (0)2 21/5 97 09 - 898

E-mail: info@weinor.de

Internet: www.weinor.com